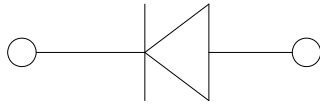
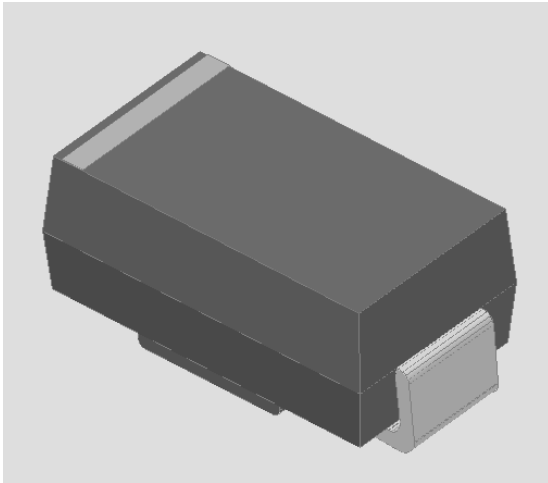


## Surface Mount Schottky Rectifier



### Features

- Low profile package
- Ideal for automated placement
- Guardring for overvoltage protection
- Low power losses, high efficiency
- Low  $V_F$
- High forward surge capability
- Meets MSL level 1, per J-STD-020, LF maximum peak of 260 °C

### Typical Applications

For use in low voltage high frequency inverters, freewheeling, DC/DC converters, and polarity protection applications.

### Mechanical Data

**Package:** DO-214AC (SMA)

Molding compound meets UL 94 V-0 flammability rating, RoHS-compliant, halogen-free

**Terminals:** Tin plated leads, solderable per J-STD-002 and JESD22-B102

**Polarity:** Cathode line denotes the cathode end

### Maximum Ratings ( $T_a=25$ Unless otherwise specified)

PARAMETER	SYMBOL	UNIT	SSL14A	SSL16A	SSL110A
Device marking code			SSL14A	SSL16A	SSL110A
Repetitive peak reverse voltage	$V_{RRM}$	V	40	60	100
Average rectified output current @60Hz sine wave, resistance load, TL (FIG.1)	$I_o$	A	1.0		
Surge(non-repetitive)forward current @ 60Hz half-sine wave, 1 cycle, $T_a=25$	$I_{FSM}$	A	28		
Storage temperature	$T_{stg}$		-55 ~+150		
Junction temperature	$T_j$		-55 ~+150		

### Electrical Characteristics $T_a=25$ Unless otherwise specified

PARAMETER	SYMBOL	UNIT	TEST CONDITIONS	SSL14A	SSL16A	SSL110A
Maximum instantaneous forward voltage drop per diode	$V_F$	V	$I_{FM}=1.0A$	0.45	0.55	0.6
Maximum DC reverse current at rated DC blocking voltage per diode @ $V_{RM}=V_{RRM}$	$I_{RRM}$	mA	$T_a=25$	0.5		
			$T_a=100$	10		

Note1:Pulse test:300uS pulse width,1% duty cycle

Note2:Pulse test:pulse width 40mS



# SSL14A THRU SSL110A

---



# SSL14A THRU SSL110A

---

## Disclaimer